



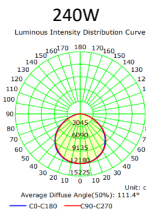
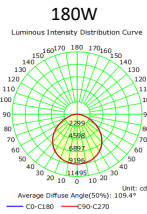
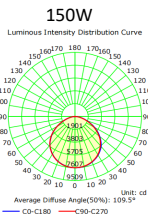
Description

Introducing the CPX LED Canopy, the perfect lighting solution for outdoor areas such as gas stations, parking lots, and other covered locations. The CPX LED Canopy is designed to provide high-quality lighting while being energy-efficient and environmentally friendly. The wattage range of this product is between 150-240 watts, providing an ample amount of light while still being energy-efficient.

Applications

- Parking Garages
- Commercial Canopies

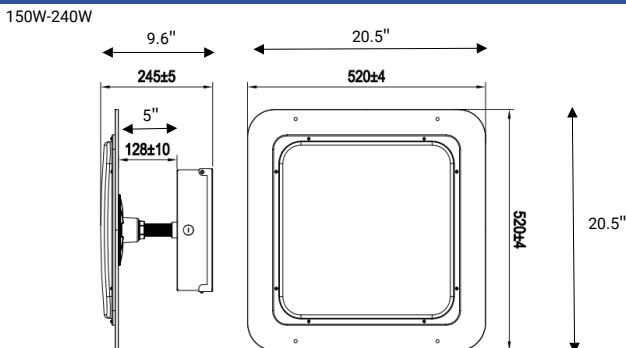
Photometry



Mounting Options

- Flush Mounting

Dimensions



Electrical Information

Model No.	CPX-150	CPX-180	CPX-240
Power Consumption(±10%)	150W	180W	240W
Power Supply	LED Driver		
Input Voltage	120-277V, 50/60Hz		
Power Factor	>0.9		
Surge Protection	10kV L/N-PE, 6kV L-N		
Driver Type	Constant Current (CC)		
Control	1-10V Dimmable		

Optic Information

LED Type	SMD		
Luminous Flux (±10%)	21043lm	25403lm	34448lm
Efficacy (4000K Ra80)	140 lm/w		
Correlated Color Temperature	4000K, 4500K, 5000K, 5700K		
Color Rendering Index	Ra80		
Beam Angle	110°		
UGR level	<6		

Dimensions and Mount

Product Dimension	20.5" x 20.5" x 5"		
Luminaire Net Weight	17 lbs	17.3 lbs	17.5 lbs
Export Carton Size	22" x 22" x 6.3"		
Mounting Option	Flush Mounting		
Material	Die-Cast Aluminum Polycarbonate		
Finish	Powder Coating		
Fixture Color	White		
IK Rating	N/A		
IP Rating	IP65		

Lifespan and Warranty

Operating Temperature	-40°F to 113°F
Warranty	5 Years

Safety Certifications

- Luminaires (UL 1598:2021 Ed.5)
- Luminaires (CSA C22.2#250.0:2021 Ed.5)