

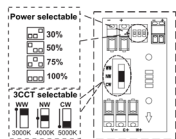


Description

The PTX 7 post top was designed for multiple applications. The luminaire can be installed near pedestrian areas and common walkways.

Key Features

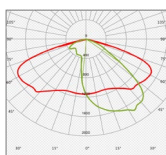
- Contemporary, architectural design
- Supports various mounting options, such as single strut, twin strut, post top, side entry, etc.
- High output efficiency up to 150 lm/W
- The housing is made of 100% aluminum alloy
- Akzo Outdoor Powder for stronger anti-corrosion
- Tool-less maintenance
- Compatible with NEMA socket
- Power Selectable, available for 30%, 50%, 75% and 100%



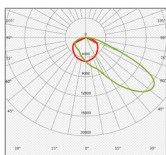
Applications

- Roadways
- Parks
- Residential areas
- Walkways
- Parking Garages

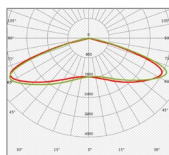
Photometry



R01603



R01604



R01605

Electrical Information

Model No.	PT7-030WS-3CS	PT7-050WS-3CS	PT7-060WS-3CS
Power Consumption	30W	50W	60W
Power Supply	WeledPower		
Input Voltage	120-277 Vac, 50 / 60 Hz		
Power Factor	>0.99		
Surge Protection	4kV line-line, 6kV line-earth		
Driver Type	Constant Current (CC)		
Control	Dimmable / photocells and microwave sensors are available upon request		
Note	N/A		

Optic Information

LED Type	LED 3030		
Efficacy (4000K Ra70)	4,500 lm	7,500 lm	9,000 lm
Efficacy (4000K Ra70)	150 lm/W		
Correlated Color Temperature	3000K, 4000K, 5000K		
Color Rendering Index	Ra70 (Ra80 optional)		
Beam Angle	R01603, R01604, R01605		
UGR level	N/A		

Dimensions and Mount

Product Dimension	φ15.75×3.19"
Luminaire Net Weight	11.7± 0.66 lbs.
Export Carton Size	18.1"×18.1"×6.1"
Gross Weight	14.3±0.66 lbs.
Mounting Options	Single strut mounting, Twin strut mounting, Straight-arm mounting, Post top mounting Side entry mounting, Gooseneck mounting, Surface mounting, Conduit mounting
Material	Aluminum Alloy Tempered Glass+Polycarbonate Optical Lens
Finish	Powder coating
Fixture Color	Black or Bronze
EPA	1.15 ft²
IK Rating	IK08
IP Rating	IP66

Lifespan and Warranty

Operating Temperature	-22°F to 122°F
Life Time of LED @Ta=25°C	43,000 hrs-L90 89,000 hrs-L80 142,000 hrs-L70
Warranty	5 Years

SAFETY CERTIFICATIONS

Luminaires (UL 1598:2021 Ed.5)
Luminaires (CSA C22.2#250.0:2021 Ed.5)

Mounting Options and Light Curve (Efficacy 4000K Ra70±10%)



Single strut mounting



Twin strut mounting



Straight-arm mounting



Post top mounting



Side entry mounting



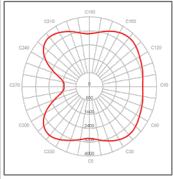
Gooseneck mounting



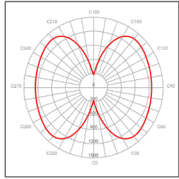
Surface mounting



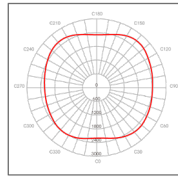
Conduit mounting



140lm/W



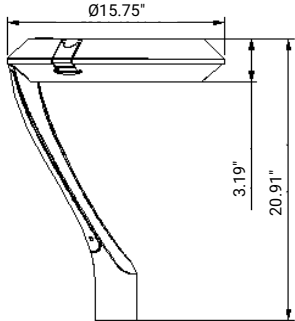
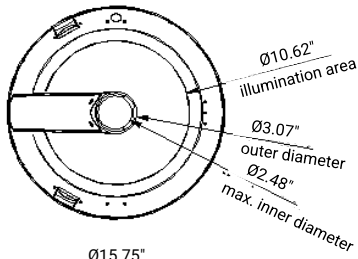
130lm/W



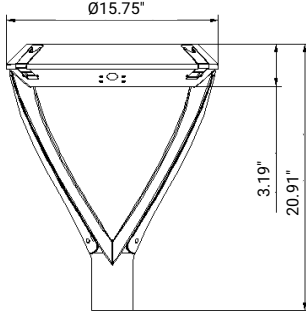
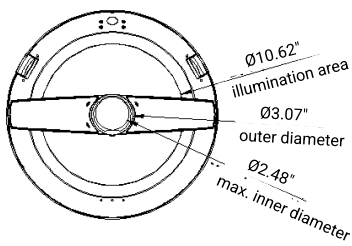
150lm/W

Product Code List

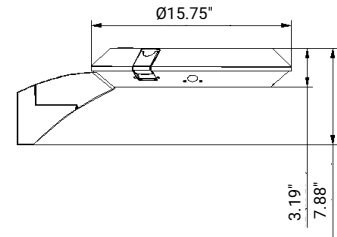
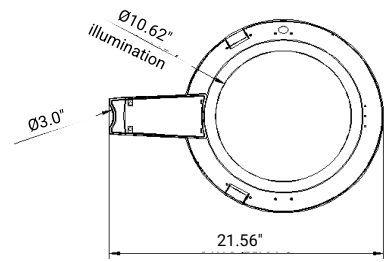
Mounting Option	Min.Power	QTY/CTN	NW (± 0.3kg/ ± 0.66Lbs)	GW(± 0.3kg/ ± 0.66Lbs)	Export Carton Size(mm/inch)
Single strut		5	17.6 lbs.	24.2 lbs.	20.07"×20.07"×25.39"
Twin strut		5	19.8 lbs.	27.6 lbs.	19.7"×21.6"×13.2"
Straight-arm bracket		15	39.7 lbs.	47 lbs.	24.0"×21.3"×9.4"
Slip fitter bracket		15	39.7 lbs.	44.3 lbs.	16.5"×10.6"×13.2"
Gooseneck bracket		20	22.0 lbs.	27.6 lbs.	14.2"×11"×11.2"
Surface mount		10	19.8 lbs.	22.3 lbs.	20.5"×15.6"×9.6"
Conduit mount		30	19.8 lbs.	22.9 lbs.	11.2"×11.2"×12.2"



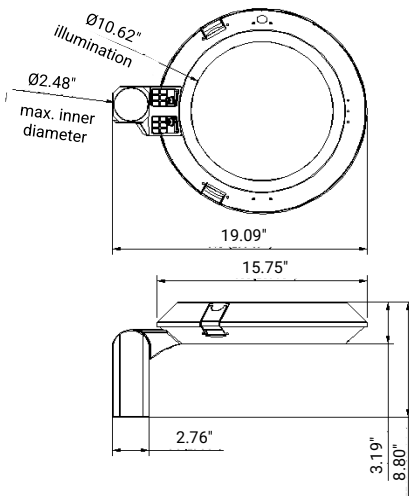
Single strut mounting



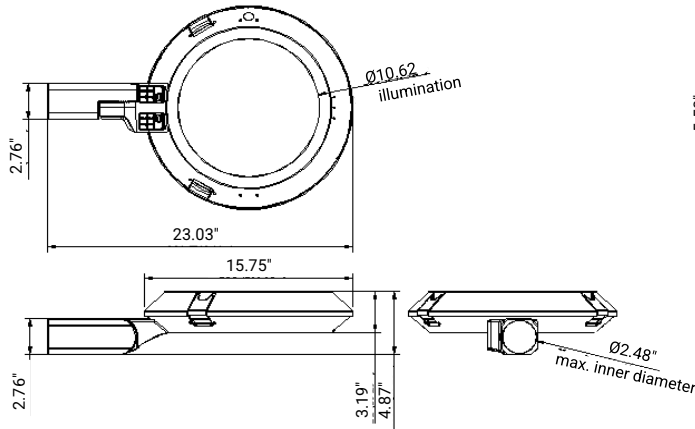
Twin strut mounting



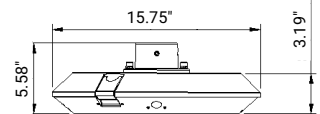
Straight-arm mounting



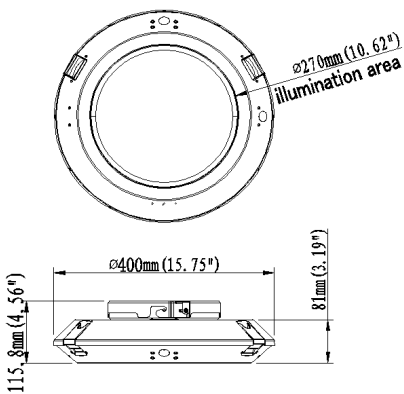
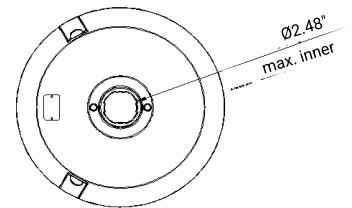
Post top mounting



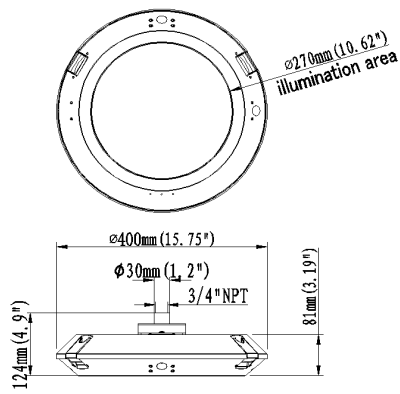
Side entry mounting



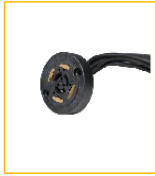
Gooseneck mounting



Surface mounting



Conduit mounting



NEMA socket

ANSI C136.41-2013 Dimming Receptacles, 3pin/ 5pin /7pin are optional.
Code: NS-A00-02(for 3pin)
Code: NS-A00-03(for 5pin)
Code: NS-A00-04(for 7pin)



Photocell control

ANSI C136.10-1996 Twist Lock for On-Off function only.
Code: PS-A00-01



Shorting cap

Cover NEMA socket when it is not used.
Code: NS-A00-01



Single strut

ADC12 materials with outdoor powder coating, for dia.60mm pole.
Code:SP-R40-04



Twin strut

ADC12 materials with outdoor powder coating, for dia.60mm pole.
Code:SP-R40-05



Straight-arm bracket

ADC12 materials with outdoor powder coating, for dia.60mm pole, for 74mm square pole.
Code:SP-R40-02



Slip fitter bracket

ADC12 materials with outdoor powder coating, for dia.60mm pole.
Code:SP-R40-03



Gooseneck bracket

ADC12 materials with outdoor powder coating, for dia.60mm pole.
Code:SP-R40-01



Surface mount

SPCC materials with outdoor powder coating.
Code:SP-R40-07



Conduit mounting

SPCC materials with outdoor powder coating.
Code:SP-R40-08



Microwave sensor bracket kits

AL1060 materials .
Code:SR-R40-01