



DESCRIPTION

B07, a slim and creative bollard, catching our eyes with its unique aesthetic design, helps lighting up your project space. Intelligent control like PIR sensor saves energy bills. IP66 and IK10 rated, also with its UV resistant polycarbonate optical lens, ideals for various outdoor applications.

FEATURES

- 15W/25W, system efficacy up to 105lm/W
- IP66 and IK10
- PIR sensor available
- Professional Type IV / Type V lighting distribution
- 0.5m and 42" height optional

APPLICATION

- Gardens
- Pathways
- Sidewalks
- Building entrances

Catalog Number	
Notes	
Types	

TECHNICAL SPECIFICATIONS

Model No.	B07-015	B07-025
Power Consumption (±10%)	15W	25W
Power Supply	Becky	
Input Voltage	120-277 Vac, 50 / 60 Hz	
Power Factor	>0.9	
Surge Protection	0.5kV line-line, 2kV line-earth / 1kV line-line, 2kV line-earth	
Driver Type	Constant current (CC)	
Control	0-10V dimming / PIR sensor	

OPTIC SPECIFICATIONS

LED Type	LED 3030	
Luminous Flux (±10%)	1500lm (R02001) / 1425lm (R02002)	2500lm (R02001) / 2375lm (R02002)
Efficacy (4000K Ra80)	100lm/W (R02001) / 95lm/W (R02002)	100lm/W (R02001) / 95lm/W (R02002)
Correlated Color Temperature	4000K (3000K, 5000K optional)	
Color Rendering Index	Ra80 (Ra70 optional)	
Beam Angle	R02001 (Type V), R02002 (Type IV)	
UGR level	N/A	

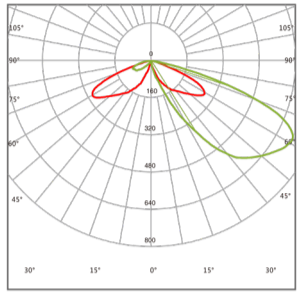
MOUNTING AND PRODUCT DIMENSIONS

Product Dimension	0.5m: Φ5.31"×19.69" 1m: Φ5.31"×42"
Luminaire Net Weight (±0.3kg/±0.66Lbs)	0.5m: 8.38 lbs. 42": 11.9 lbs.
Export Carton Size (All-in-one package)	Full-assembled 0.5m: 25.59"×8.86"×9.06" Full-assembled 42": 45.28"×8.86"×9.06"
Gross Weight (All-in-one package) (±0.3kg/±0.66Lbs)	Full-assembled 0.5m: 9.92 lbs. Full-assembled 42": 14.33 lbs.
Export Carton Size (Separated package)	Heading: 16.14"×8.27"×8.66" Bollard 0.5m: 19.88"×8.86"×9.06" Bollard 42": 42"×8.86"×9.06"
Gross Weight (Separated package) (±0.3kg/±0.66Lbs)	Heading: 5.51 lbs. Bollard 0.5m: 5.29 lbs. Bollard 42": 9.7 lbs.
Mounting Option	Mounting kit with anchor bolts
Material	Aluminum alloy Polycarbonate optical lens
Finish	Powder coating
Fixture Color	Black (RAL 9017)
EPA	N/A
IK Rating	IK10
IP Rating	IP66

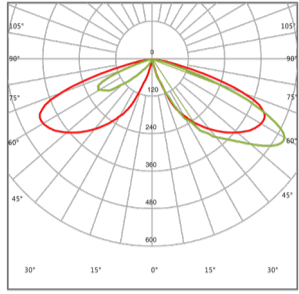
LIFESPAN AND WARRANTY

Operating Temperature	-4°F to 113°F (Conventional) -4°F to 104°F (PIR sensor)
Life Time of LED @Ta=25°C	57,000 hrs - L90 130,000 hrs - L80 210,000 hrs - L70
Warranty	5 years

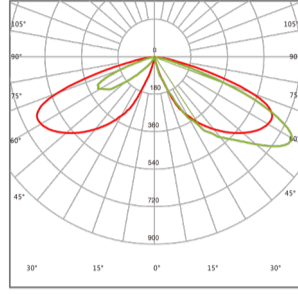
PHOTOMETRY



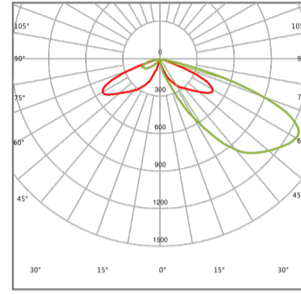
R02002



R02001



R02001



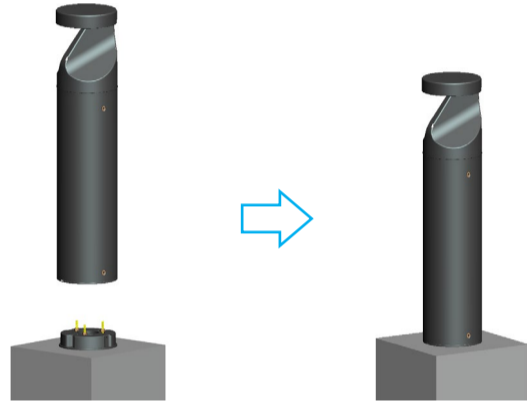
R02002

15W beam angle

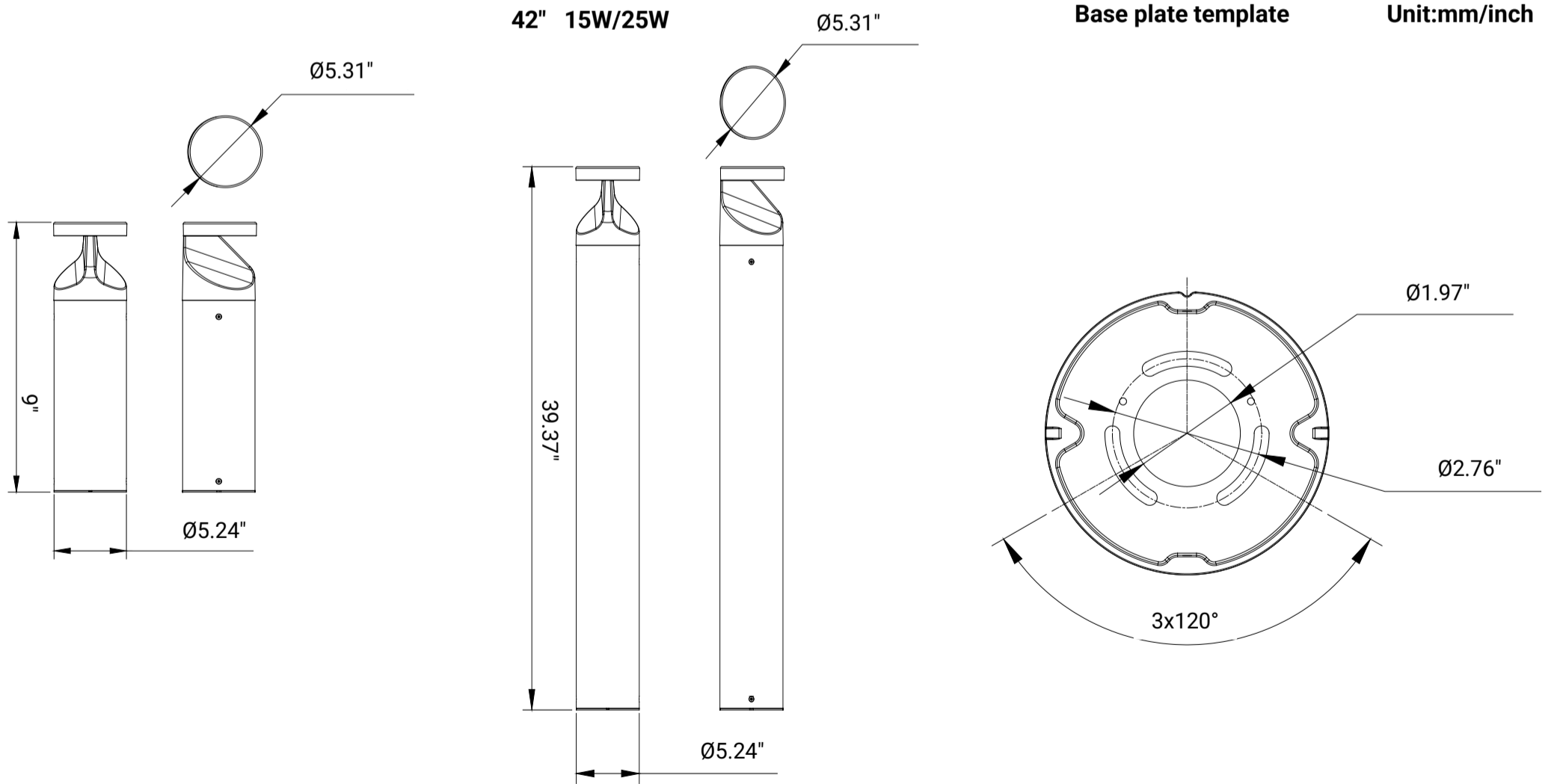
25W beam angle

MOUNTING OPTIONS

Mounting kit with anchor bolts



DIMENSIONS



ACCESSORIES



Backfilled Anchor

Q235 +SPCC, hot dip galvanizing Φ 130x508mm.

Code: MT-B01-03

ORDERING INFORMATION

B07						
Series	Wattage & Lumen Output	Voltage	Correlated Color Temperature (CCT)	Beam Angle	Bollard Height	Control Options
B07 (B07 LED Bollard)	15 (15W, 1500lm/1425lm)	MV (120-277V, 50/60Hz)	30K (3000K)	T4 (Type IV, R02002)	05M (0.5m / 19.69")	0-10V (0-10V Dimming)
	25 (25W, 2500lm/2375lm)		40K (4000K) 50K (5000K)	T5 (Type V, R02001)	42I (42" height)	

Finish Color	Accessories
BK (Black, RAL9017)	MT (Mounting Kit with Anchor Bolts) BA (Backfilled Anchor, MT-B01-03)