



Catalog Number	
Notes	
Type	

**TECHNICAL SPECIFICATIONS**

<b>Model No.</b>	CRN-40	CRN-60	CRN-80	CRN-100	CRN-120
<b>Power Consumption(±10%)</b>	40W	60W	80W	100W	120W
<b>Power Supply</b>	LED Driver				
<b>Input Voltage</b>	100-277V 50/60 Hz				
<b>Power Factor</b>	0.9				
<b>Total Harmonic Distortion</b>	13.40%				
<b>Sensor</b>	Built-in Occupancy Sensor				
<b>Control</b>	Continuous Dimming above 10%				

**OPTIC SPECIFICATIONS**

<b>LED Type</b>	SMD				
<b>Luminous Flux (±10%)</b>	5600lms	8400lms	11200lms	14000lms	16800lms
<b>Efficacy(4000K Ra80)</b>	Up to 140 lms/w				
<b>Correlated Color Temperature</b>	3000K, 4000K, 5000K, 5700K, 6500K				
<b>Color Rendering Index</b>	Ra80				
<b>Beam Angle</b>	165				
<b>UGR level</b>	N/A				



**DESCRIPTION**

Introducing the Corina Parking Garage LED Light, the perfect lighting solution for all your parking garage needs. Designed with advanced features and cutting-edge technology, this LED light ensures optimal illumination, energy efficiency, and durability. With wattage options ranging from 40 to 120 watts, the Corina Parking Garage LED Light provides a versatile range of brightness levels to suit your specific requirements. Whether you need to light up a small parking area or a large multi-level garage, this LED light has you covered. Featuring a wide beam angle of 165 degrees, the Corina LED light ensures broad coverage, eliminating dark corners and shadows in your parking facility. It creates a well-lit environment that enhances visibility, increases safety, and improves the overall user experience.

**MOUNTING AND PRODUCT DIMENSIONS**

<b>Product Dimension</b>	13" Diameter x 7" Height
<b>Luminaire Net Weight</b>	6.17 lbs
<b>Mounting Option</b>	Flush and Pole Mounting
<b>Material</b>	Die-cast Aluminum Polycarbonate Lens
<b>Finish</b>	Powder Coating
<b>Fixture Color</b>	White, Black
<b>IK Rating</b>	IK08
<b>IP Rating</b>	IP66

**APPLICATION(S)**

- Parking Garages
- Canopies

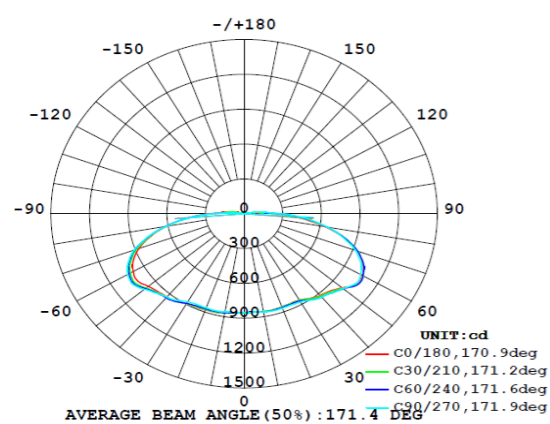
**LIFESPAN AND WARRANTY**

<b>Operating Temperature</b>	-22°F to 122°F
<b>Warranty</b>	5 Years

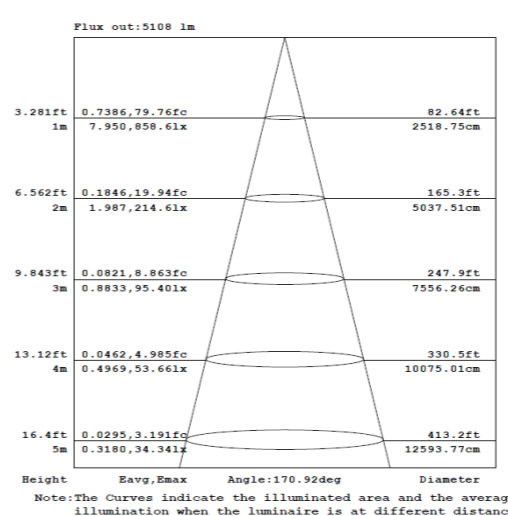
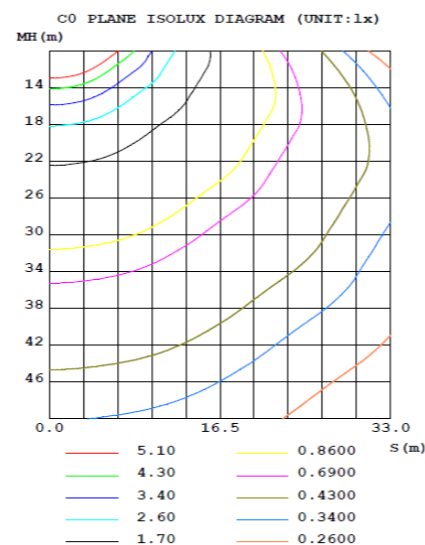
**SAFETY CERTIFICATIONS**

Luminaires (UL 1598:2021 Ed.5)  
Luminaires (CSA C22.2#250.0:2021 Ed.5)

**PHOTOMETRY**



165°



## MOUNTING OPTIONS

Flush Mounting



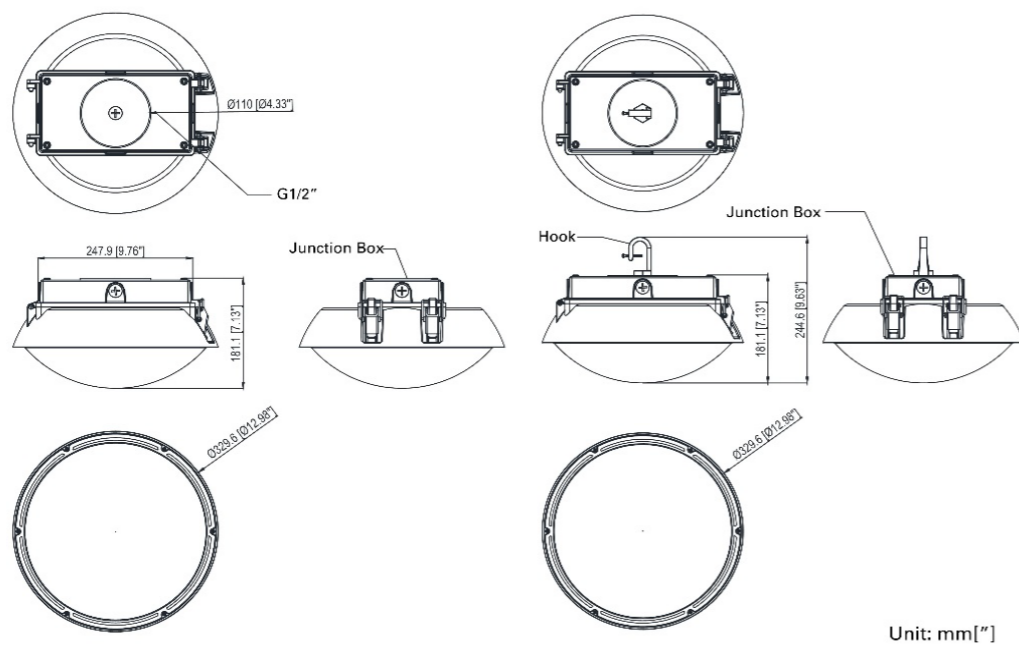
Pole Mounting



Hook



## DIMENSIONS (unit:mm)



## ORDERING INFORMATION

Series	Wattage & Lumen Output	Voltage	Correlated Color Temperature (CCT)	Beam Angle	Control Options	Lens Type	Finish Color
CRN	40W (5600lm) 60W (8400lm) 80W (11200lm) 100W (14000lm) 120W (16800lm)	MV (100-277V)	30K (3000K) 40K (4000K) 50K (5000K) 57K (5700K) 65K (6500K)	165D (165°)	OS (Built-in Occupancy Sensor)	CL (Clear) FR (Frosted)	WH (White) BK (Black)

Mounting Option	Accessories
FM (Flush Mounting)	EMB (Battery Back-up)
PM (Pole Mounting)	