



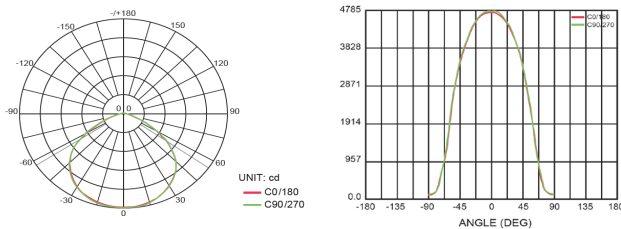
## DESCRIPTION

The Delta LED Explosion-Proof Light is a high-performance, durable lighting solution designed for hazardous environments, meeting Class I, II, and III Division 1 safety standards. Available in 60W, 80W, and 100W, it delivers up to 10,000 lumens with a 110° beam angle for wide-area illumination. Built with an IP67-rated aluminum alloy housing, tempered glass protection, and stainless steel components, it ensures superior resistance to water, dust, and impact (IK07). Featuring wall and pendant mounting options (25° and 90° angles), the fixture is adaptable to various industrial settings, including power plants, heavy industries, storage facilities, and loading docks.

## APPLICATION(S)

- Power Plants
- Heavy Industrials
- Storage Facility
- Paper Mills
- Wastewater Treatment Plants
- Loading Docks
- Platforms

## PHOTOMETRY



Catalog Number	
Notes	
Type	

## TECHNICAL SPECIFICATIONS

<b>Model No.</b>	DLT-60	DLT-80	DLT-100
<b>Power Consumption(±10%)</b>	60W	80W	100W
<b>Power Supply</b>	LED Driver		
<b>Input Voltage</b>	120V / 277V / 480V AC		
<b>Power Factor</b>	cos 0.9, cos 0.87(480V)		
<b>Driver Type</b>	BSL Driver		
<b>Control</b>	Non-Dimmable		
<b>Note</b>	L1-102		

## OPTIC SPECIFICATIONS

<b>LED Type</b>	COB/SMD		
<b>Luminous Flux (±10%)</b>	6000lm	8000lm	10000lm
<b>Efficacy(4000K Ra80)</b>	100 lms/w		
<b>Correlated Color Temperature</b>	3000K-5000K		
<b>Color Rendering Index (4000K)</b>	Ra80		
<b>Beam Angle</b>	110°		

## MOUNTING AND PRODUCT DIMENSIONS

<b>Product Dimension</b>	9.21" L x 4.13" H
<b>Luminaire Net Weight</b>	5.5 kg (12.1 lb)
<b>Mounting Option</b>	Wall Mount and Pendant Mount
<b>Material</b>	Aluminum Alloy Tempered Glass
<b>Cable Gland</b>	Stainless Steel / 600V, 105°C
<b>Fixture Color</b>	Grey
<b>IK Rating</b>	IK07
<b>IP Rating</b>	IP67

## LIFESPAN AND WARRANTY

<b>Operating Temperature</b>	CID1: -40°C ~ +40°C, T5 / CIID1: +40°C, T5
<b>Warranty</b>	5 Years

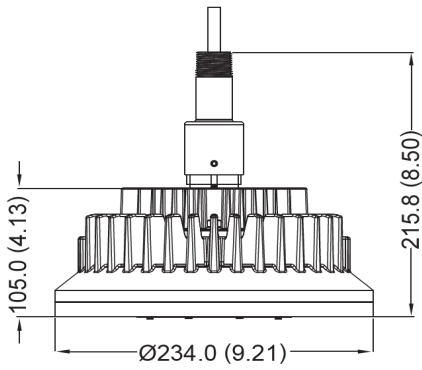
## SAFETY CERTIFICATIONS

- Luminaires (UL 1598:2021 Ed.5)
- Luminaires (CSA C22.2 No 137-M1981)
- Luminaires (CSA C22.2 No. 250.0)

## MOUNTING OPTIONS

- W25=Wall mounting 25°
- W90=Wall mounting 90°
- H25=Pendant mounting 25°
- H90=Pendant mounting 90°

**DIMENSIONS (unit:mm/in)**



**ORDERING INFORMATION**

Series	Wattage & Lumen Output	Voltage	Corelated Color Temperature (CCT)	Beam Angle	Finish Color
DLT (Delta - Led Explosion Proof)	60W (6000lm) 80W (8000lm) 100W (10000lm)	MV (277V) HV (480V)	30K (3000K) 40K (4000K) 50K (5000K)	110D (110°)	GR (Gray)

Mounting Options	Class	Division	Group
W25=Wall mounting 25° W90=Wall mounting 90° H25=Pendant mounting 25° H90=Pendant mounting 90°	I (Class I) II (Class II) III (Class III)	I (Division I)	B (Group B) C (Group C) D (Group D) E (Group E) F (Group F) G (Group G)