



## DESCRIPTION

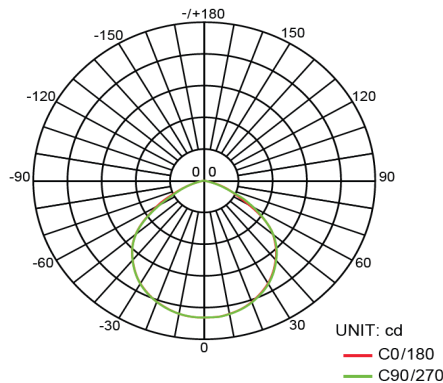
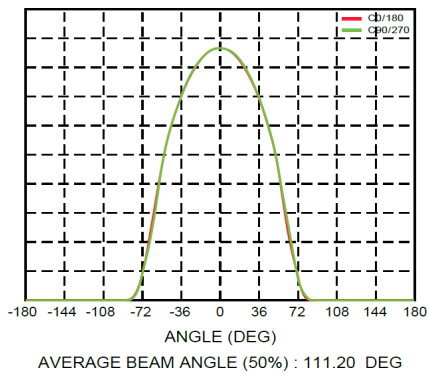
Big Shine's Delta explosion-proof luminaire is not only able to withstand various hazardous chemicals, but was designed with a temperature-resistant pressed glass and aluminum housing that extends the breadth of its applications. Delta is certified for the following hazardous area classifications: Class I, Division 1, Groups B, C, and D, as well as Class II, Division 1, Groups E, F, and G.

## APPLICATION(S)

- Power Plants
- Heavy Industrials
- Storage Facility
- Paper Mills
- Wastewater Treatment Plants
- Loading Docks
- Platforms

## PHOTOMETRY

COB test



Catalog Number	
Notes	
Type	

## TECHNICAL SPECIFICATIONS

<b>Model No.</b>	DLT-120	DLT-140
<b>Power Consumption(±10%)</b>	120W	140W
<b>Power Supply</b>	LED Driver	
<b>Input Voltage</b>	120V / 277V / 480V AC	
<b>Power Factor</b>	cos 0.9, cos 0.87(480V)	
<b>Driver Type</b>	BSL Driver	
<b>Control</b>	Non-Dimmable	
<b>Note</b>	L1/2-17	

## OPTIC SPECIFICATIONS

<b>LED Type</b>	COB/SMD	
<b>Luminous Flux (±10%)</b>	12000lm	14000lm
<b>Efficacy(3000K Ra80)</b>	100 lms/w	
<b>Correlated Color Temperature</b>	3000K, 5000K	
<b>Color Rendering Index (3000K)</b>	Ra80	
<b>Beam Angle</b>	110°	

## MOUNTING AND PRODUCT DIMENSIONS

<b>Product Dimension</b>	10.9"L x 8.40"H
<b>Net Weight</b>	11.0 kg (24.2 lb)
<b>Mounting Option</b>	Wall, Pendant Mounts/ Straight, Bending Tube
<b>Material</b>	Aluminum Alloy Tempered Glass
<b>Entrance Thread</b>	1 x M25
<b>Fixture Color</b>	Grey
<b>IK Rating</b>	IK07
<b>IP Rating</b>	IP67

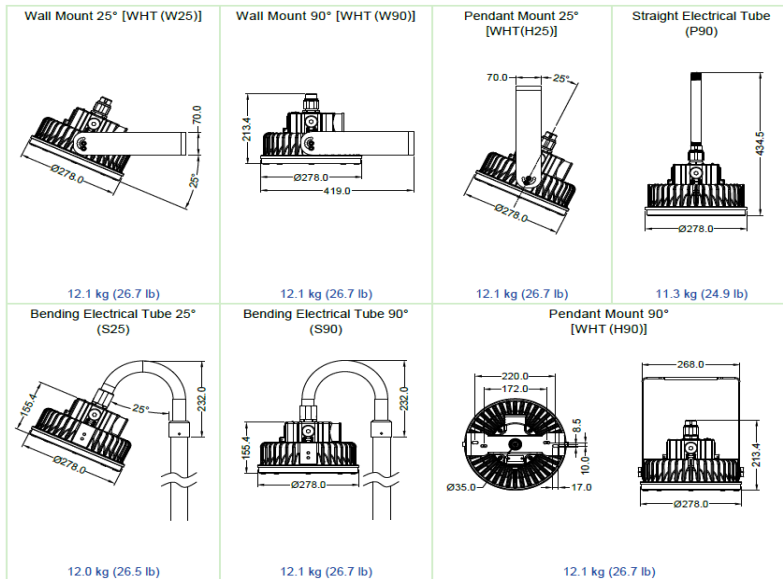
## LIFESPAN AND WARRANTY

<b>Operating Temperature</b>	CID2: -40°C ~ +40°C, T3C / CIID2: +40°C, T6
<b>Warranty</b>	5 Years

## SAFETY CERTIFICATIONS

Luminaires (UL 1598:2021 Ed.5)  
 Luminaires (CSA C22.2 No. 137-M1981)  
 Luminaires (CSA C22.2 No. 250.13)

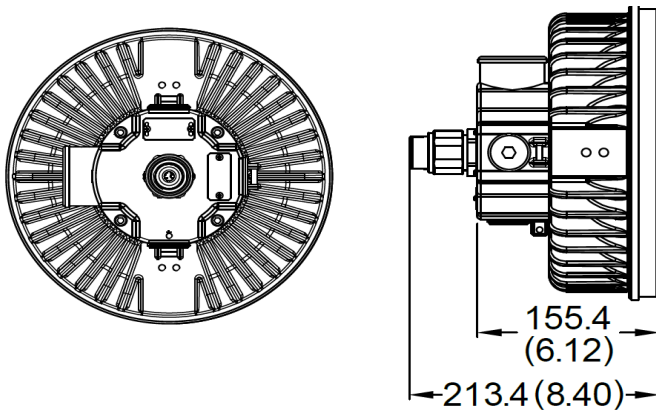
## MOUNTING OPTIONS



### Mounting Details

S25/90=Bending Electrical Tube 25°/90°  
 P90=Straight Electrical Tube  
 WHT(W25/90)=Wall Mount 25°/90°  
 WHT(H25/90)=Pendant Mount 25°/90°  
 PAN=Pan Mounting - C Brand  
 PANA=Pan Mounting - A Brand  
 PANK=Pan Mounting - K Brand

## DIMENSIONS (unit:mm/in)



## ORDERING INFORMATION

Series	Wattage & Lumen Output	Voltage	Corelated Color Temperature (CCT)	Beam Angle	Finish Color
DLT (Delta - Led Explosion Proof)	100W (10000lm) 120W (12000lm)	LV (120V) MV (277V) HV (480V)	30K (3000K) 50K (5000K)	110D (110°)	GR (Gray)

Mounting Options	Class	Division	Group
WM (Wall Mount)	I (Class I)	2 (Division 2)	A (Group A)
PM (Pendant Mount)	II (Class II)		B (Group B)
BET (Bending Electrical Tube)	III (Class III)		C (Group C)
SET (Straight Electrical Tube)			D (Group D)
			E (Group E)
			F (Group F)
			G (Group G)