

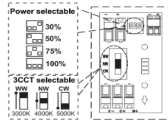


## DESCRIPTION

The PTX 7 post top was designed for multiple applications. The luminaire can be installed near pedestrian areas and common walkways.

## Key Features

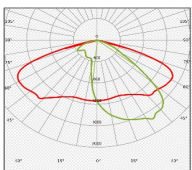
- Contemporary, architectural design
- Supports various mounting options, such as single strut, twin strut, post top, side entry, etc.
- High output efficiency up to 150 lm/W
- The housing is made of 100% aluminum alloy
- Akzo Outdoor Powder for stronger anti-corrosion
- Tool-less maintenance
- Compatible with NEMA socket
- Power Selectable, available for 30%, 50%, 75% and 100%



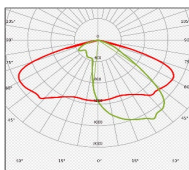
## APPLICATION(S)

- Roadways
- Parks
- Residential Areas
- Walkways
- Parking Garages

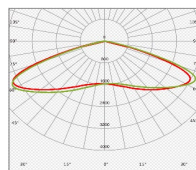
## PHOTOMETRY



R01603



R01603



R01605

Catalog Number	
Notes	
Type	

## TECHNICAL SPECIFICATIONS

Model No.	PT7-030WS-3CS	PT7-050WS-3CS	PT7-060WS-3CS
Power Consumption(±10%)	30W	50W	60W
Power Supply	WeledPower		
Input Voltage	120-277 Vac, 50 / 60 Hz		
Power Factor	>0.99		
Surge Protection	4kV line-line, 6kV line-earth		
Driver Type	Constant Current (CC)		
Control	Dimmable		
Note	N/A		

## OPTIC SPECIFICATIONS

LED Type	LED 3030		
Luminous Flux (±10%)	4,500 lm	7,500 lm	9,000 lm
Efficacy(4000K Ra70)	150 lm/W		
Correlated Color Temperature	3000K, 4000K, 5000K		
Color Rendering Index	Ra70 (Ra80 optional)		
Beam Angle	R01603, R01604, R01605		
UGR level	N/A		

## MOUNTING AND PRODUCT DIMENSIONS

Product Dimension	φ15.75×3.19"
Luminaire Net Weight	11.7± 0.66 lbs.
Export Carton Size	18.1"×18.1"×6.1"
Gross Weight	14.3±0.66 lbs.
Mounting Options	Single strut mounting, Twin strut mounting, Straight-arm mounting, Post top mounting, Side entry mounting, Gooseneck mounting, Surface mounting, Conduit mounting
Material	Aluminum Alloy
Finish	Tempered Glass+Polycarbonate Optical Lens
Fixture Color	Powder coating
EPA	Black or Bronze
IK Rating	1.15 ft <sup>2</sup>
IP Rating	IK08
	IP66

## LIFESPAN AND WARRANTY

Operating Temperature	-22°F to 122°F
Life Time of LED @Ta=25°C	43,000 hrs-L90
	89,000 hrs-L80
	142,000 hrs-L70
Warranty	5 Years

## SAFETY CERTIFICATIONS

- Luminaires (UL 1598:2021 Ed.5)
- Luminaires (CSA C22.2#250.0:2021 Ed.5)

## MOUNTING OPTIONS



Single strut mounting



Twin strut mounting



Straight-arm mounting



Post top mounting



Side entry mounting



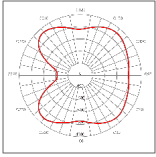
Gooseneck mounting



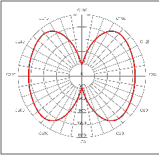
Surface mounting



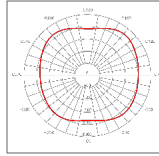
Conduit mounting



140lm/W










130lm/W

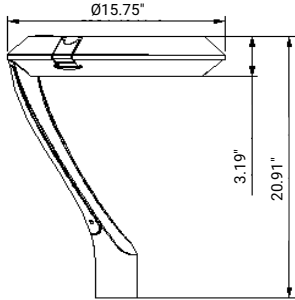
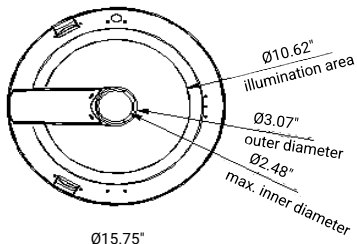


150lm/W

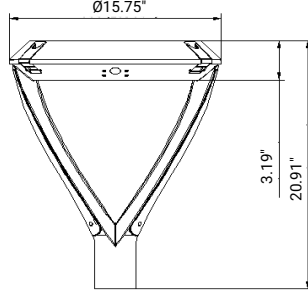
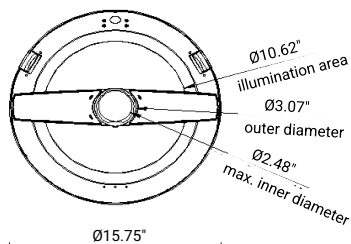
## PRODUCT CODE LIST

Mounting Option	Min.Power	QTY/CTN	NW (± 0.3kg/ ± 0.66Lbs )	GW(± 0.3kg/ ± 0.66Lbs )	Export Carton Size(mm/inch)
Single strut		5	17.6 lbs.	24.2 lbs.	20.07"×20.07"×25.39"
Twin strut		5	19.8 lbs.	27.6 lbs.	19.7"×21.6"×13.2"
Straight-arm bracket		15	39.7 lbs.	47 lbs.	24.0"×21.3"×9.4"
Slip fitter bracket		15	39.7 lbs.	44.3 lbs.	16.5"×10.6"×13.2"
Gooseneck bracket		20	22.0 lbs.	27.6 lbs.	14.2"×11"×11.2"
Surface mount		10	19.8 lbs.	22.3 lbs.	20.5"×15.6"×9.6"
Conduit mount		30	19.8 lbs.	22.9 lbs.	11.2"×11.2"×12.2"

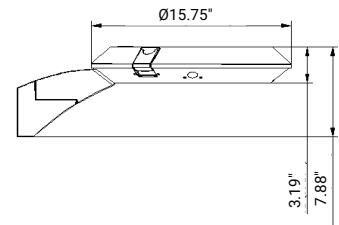
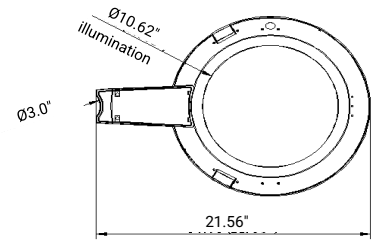
\*The light distribution will be different depending on the mounting brackets.



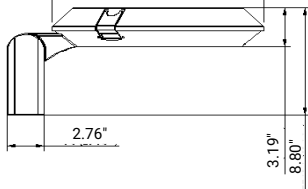
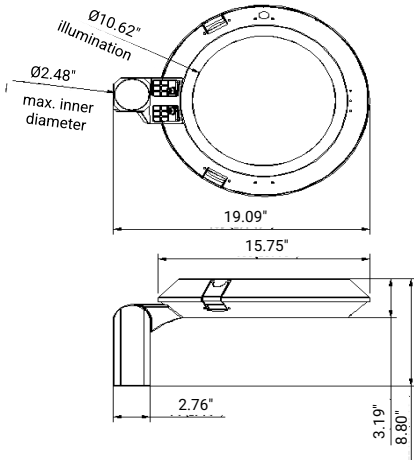
Single strut mounting



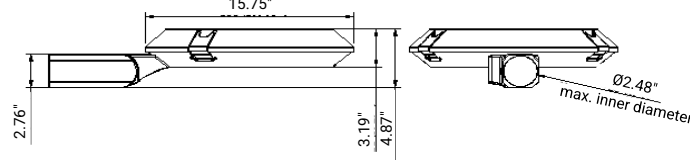
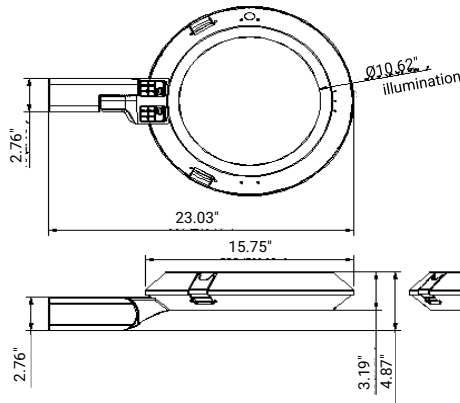
Twin strut mounting



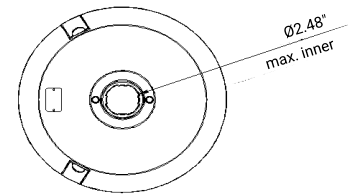
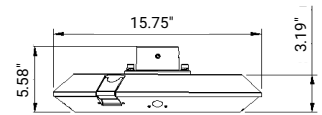
Straight-arm mounting



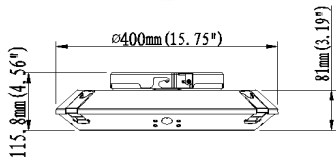
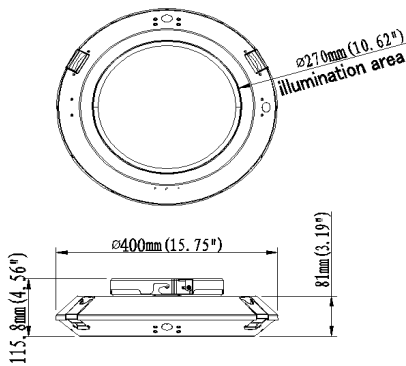
Post top mounting



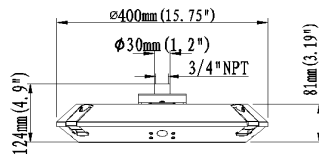
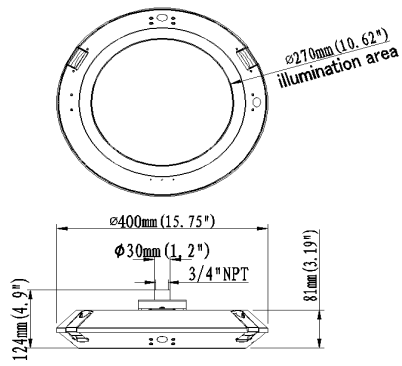
Side entry mounting



Gooseneck mounting



Surface mounting



Conduit mounting



**NEMA socket**  
ANSI C136.41-2013 Dimming Receptacles, 3pin/ 5pin /7pin are optional.  
Code: NS-A00-02(for 3pin)  
Code: NS-A00-03(for 5pin)  
Code: NS-A00-04(for 7pin)



**Photocell control**  
ANSI C136.10-1996 Twist Lock for On-Off function only.  
Code: PS-A00-01



**Shorting cap**  
Cover NEMA socket when it is not used.  
Code: NS-A00-01



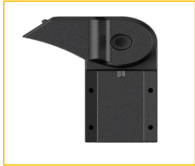
**Single strut**  
ADC12 materials with outdoor powder coating, for dia.60mm pole.  
Code:SP-R40-04



**Twin strut**  
ADC12 materials with outdoor powder coating, for dia.60mm pole.  
Code:SP-R40-05



**Straight-arm bracket**  
ADC12 materials with outdoor powder coating, for dia.60mm pole, for 74mm square pole.  
Code:SP-R40-02



**Slip fitter bracket**  
ADC12 materials with outdoor powder coating, for dia.60mm pole.  
Code:SP-R40-03



**Gooseneck bracket**  
ADC12 materials with outdoor powder coating, for dia.60mm pole.  
Code:SP-R40-01



**Surface mount**  
SPCC materials with outdoor powder coating,  
Code:SP-R40-07



**Conduit mounting**  
SPCC materials with outdoor powder coating.  
Code:SP-R40-08



**Microwave sensor bracket kits**  
AL1060 materials .  
Code:SR-R40-01

**ORDERING INFORMATION**

Series	Wattage & Lumen Output	Voltage	Corelated Color Temperature (CCT)	Beam Angle	Control Options
<b>PT7</b> (PT7 LED Post Top)	<b>30W</b> (4,500 lm) <b>50W</b> (7,500 lm) <b>60W</b> (9,000 lm)	<b>MV</b> (120-277V)	<b>30K</b> (3000K) <b>40K</b> (4000K) <b>50K</b> (5000K)	<b>R01603</b> <b>R01604</b> <b>R01605</b>	

Mounting Option	Finish Color	Accessories
<b>SS</b> (Single Strut Mounting) <b>TS</b> (Twin Strut Mounting) <b>SA</b> (Straight-Arm Mounting) <b>PT</b> (Post Top Mounting) <b>SE</b> (Side Entry Mounting) <b>GM</b> (Gooseneck Mounting) <b>SM</b> (Surface Mounting) <b>CM</b> (Conduit Mounting)	<b>BZ</b> (Bronze) <b>BK</b> (Black)	<b>NS-A00-02</b> (NEMA socket for 3-pin) <b>NS-A00-03</b> (NEMA socket for 5-pin) <b>NS-A00-04</b> (NEMA socket for 7-pin) <b>PS-A00-01</b> (Photocell Control) <b>NS-A00-01</b> (Shorting Cap) <b>SP-R40-04</b> (Single Strut) <b>SP-R40-05</b> (Twin Strut) <b>SP-R40-02</b> (Straight-Arm Bracket) <b>SP-R40-03</b> (Slip Fitter Bracket) <b>SP-R40-01</b> (Gooseneck Bracket) <b>SP-R40-07</b> (Surface Mount) <b>SP-R40-08</b> (Conduit Mounting) <b>SR-R40-01</b> (Microwave Sensor Bracket Kits)