



Catalog Number	
Notes	
Type	

## TECHNICAL SPECIFICATIONS

Model No	TK7-100	TK7-120	TK7-150	TK7-200
Power Consumption(±5%)	100W	120W	150W	200W
Power Supply	LIFUD			
Input Voltage	100-277VAC, 50 / 60 Hz			
Power Factor	>0.95			
Surge Protection	4kV line-line, 6kV line-earth			
Driver Type	Constant Current (CC)			
Control	Microwave Motion Sensor, PIR sensor			
	Dimmable			
	Beam Angle & Power Selectable			

## OPTIC SPECIFICATIONS

LED Type	LED 2835			
Luminous Flux (±10%)	15000lm	18000lm	22500lm	30000lm
Efficacy (5000K Ra80)	150lm/w			
Correlated Color Temperature	3000K, 4000K, 5000K			
Color Rendering Index	Ra70 (Ra80 optional)			
Beam Angle	H00176		H00175	
UGR level	N/A			

## DESCRIPTION

TK7 has an efficacy of 150 lm/W, 200W/150W/120/100W full wattage range. Three heat sinks including large, medium, and small, which allows us to be more competitive in cost. Optic lens 60°/85°/105° adjustable, 3000K 4000K 5000K adjustable as well, making it very much advantageous.

## KEY FEATURES

- Power selectable
- Beam angle & Power selectable
- Built-in sensor
- Various accessories are available
- IP65 & IK08

## APPLICATIONS

- Industrial and commercial facilities

## MOUNTING AND PRODUCT DIMENSIONS

Product Dimension	φ269x181mm	φ295x181mm	φ295x187mm
Luminaire Net Weight	2.3±0.3kg	3.0±0.3kg	3.5±0.3kg
Export Carton Size	330x330x180mm	360x360x190mm	
Gross Weight	3.3±0.3kg	4.0±0.3kg	4.6±0.3kg
Mounting Option	Hook Mount		
	U-Bracket Mount		
Material	Aluminum alloy		
	Polycarbonate optical lens		
Finish	Powder Coating		
Fixture Color	Black (RAL9017)		
EPA	NA		
IK Rating	IK08		
IP Rating	IP65		

## LIFESPAN AND WARRANTY

Operating Temperature	-22°F to 122°F
	31000Hrs-L90
Life Time of LED @Ta=25°C	64000Hrs-L80
	101000Hrs-L70
Warranty	5 Years

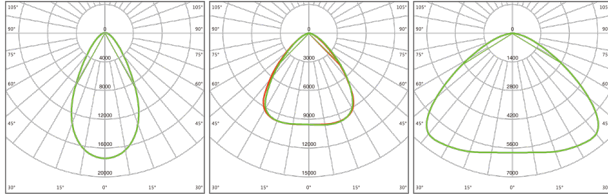
## SAFETY CERTIFICATIONS

Luminaire (UL 1598:2021 Ed.5)  
Luminaire (CSA C22.2#250.0:2021 Ed.5)

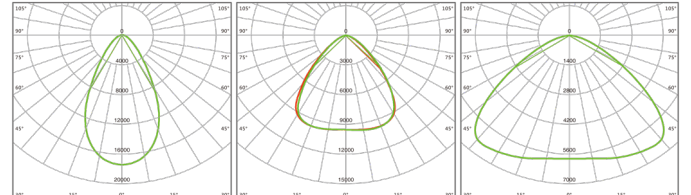
**PHOTOMETRY**

100W/120W beam angle

150W/200W beam angle



(H00176)



(H00175)

**MOUNTING OPTIONS**



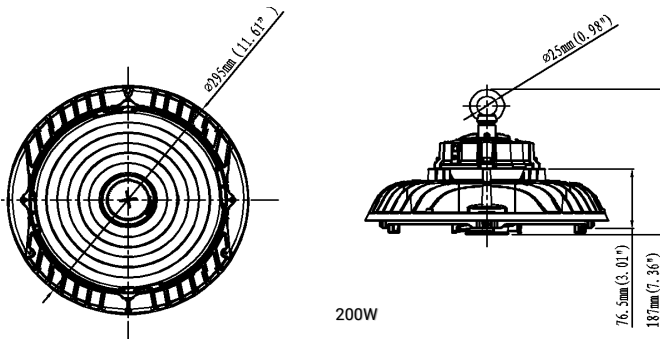
Hook Mount



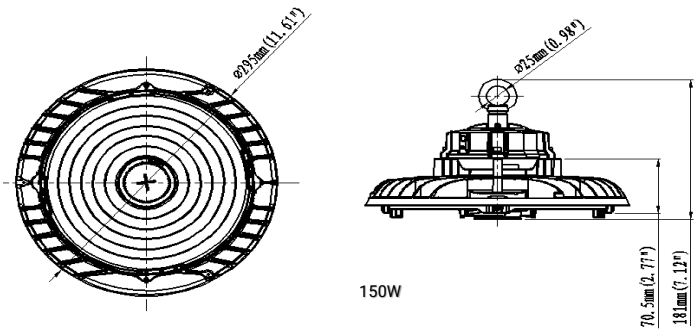
U-Bracket Mount

**DIMENSIONS**

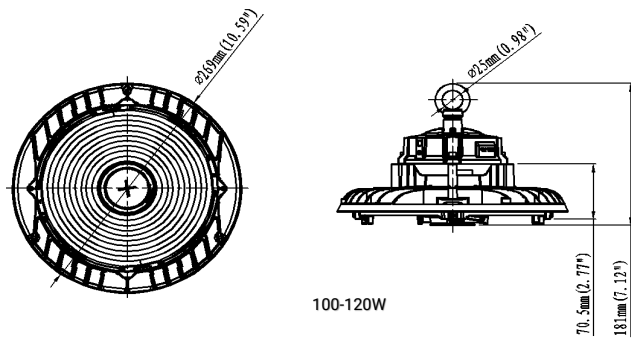
Unit: mm



200W



150W



100-120W

## ACCESSORIES



### Optic lens

High transmittance PC materials, UV test approval.

Code: please refer to **Photometry** for different beam angle.



### PC reflectors

90° PC reflector with lid.

150W/200W:  
Code: H00C01A+H00C01B



### PIR sensor

PC  
Φ61.4\*28mm

Code: HD07VR-MH



### Aluminium reflectors

Different beam angle, anti glare effect, black/silvery color options.

100W/120W:  
Code: H00D59 (90° )  
150W/200W:



### ±60° adjustable bracket

**bracket**  
SPCC materials with outdoor powder coating.

Code: BC-H38-01 (100-200W)



### Microwave sensor

PC  
Φ52\*20mm

Code: SR-H30-01

## ORDERING INFORMATION

TK7						
Series	Wattage & Lumen Output	Voltage	Corelated Color Temperature (CCT)	Beam Angle	Control Options	Mount
TK7 (TK7 LED High Bay)	<b>100W</b> (15000lms) <b>120W</b> (18000lms) <b>150W</b> (22500lms) <b>200W</b> (30000lms)	<b>MV</b> (100-277V)	<b>30K</b> (3000K) <b>40K</b> (4000K) <b>50K</b> (5000K)	<b>H00176</b> (100W, 120W) <b>H00175</b> (150W, 200W)	<b>D</b> (Dimmable)	<b>HM</b> (Hook Mount) <b>UB</b> (U-Bracket Mount)
Finish Color	Accessories					
<b>BK</b> (Black)	<b>DL</b> (Optic Lens) <b>AR</b> (Aluminim reflector)		<b>AC</b> (Adjustable Bracket +60 degrees) <b>PR</b> (PC Reflector- with/ without lid)			